

No. 725,586.

PATENTED APR. 14, 1903.

G. L. POOL.
TOBACCO CLAMP.
APPLICATION FILED FEB. 4, 1903.

NO MODEL.

Fig. 1.

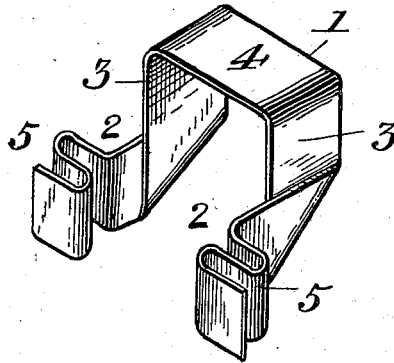
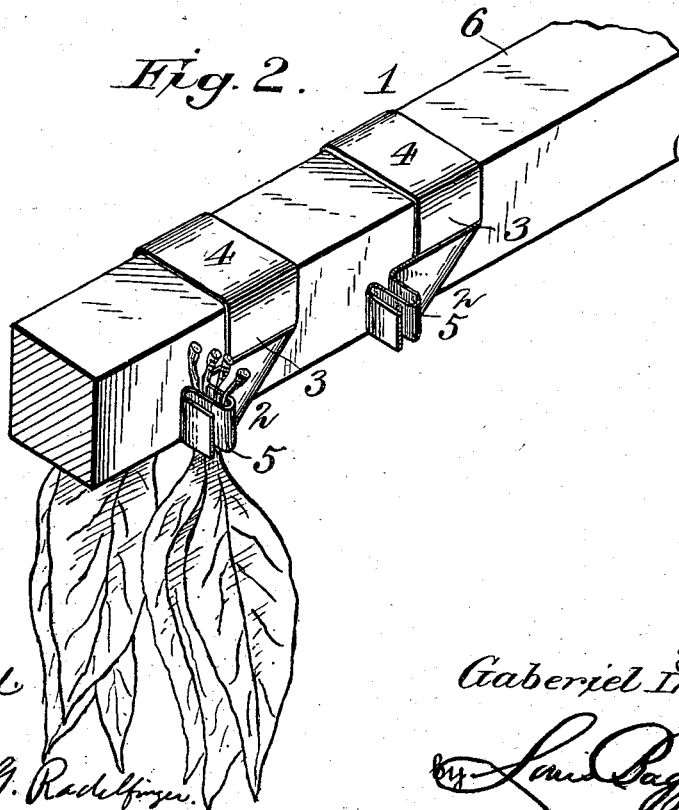


Fig. 2.



Witnesses:
F. L. Ormand

Frank G. Radelfinger

Inventor:
Gabriel L. Pool

Law Rigger Co.
Attorneys

UNITED STATES PATENT OFFICE.

GABERIEL L. POOL, OF BONUS, NORTH CAROLINA.

TOBACCO-CLAMP.

SPECIFICATION forming part of Letters Patent No. 725,586, dated April 14, 1903.

Application filed February 4, 1903. Serial No. 141,864. (No model.)

To all whom it may concern:

Be it known that I, GABERIEL L. POOL, a citizen of the United States, residing at Bonus, in the county of Jones and State of North Carolina, have invented new and useful Improvements in Tobacco-Clamps, of which the following is a specification.

My invention relates to tobacco-clamps; and the object of the same is to construct a simple device for securing leaves of tobacco to sticks, which device will not injure the tobacco and will permit its ready removal.

The novel construction employed by me in carrying out my invention is fully described and claimed in this specification and illustrated in the accompanying drawings, forming a part thereof, in which—

Figure 1 is a perspective of my device. Fig. 2 is a perspective of a stick with several of my clamps in position thereon securing bunches of tobacco.

Like numerals of reference designate like parts in the different views of the drawings.

My clamp comprises a yoke-shaped member 1, constructed of resilient material, and bearing-jaws 2. The member 1 has two side bars 3, which are connected by a cross-bar 4. The jaws 2 are formed integral with the side bars 3. They extend at right angles to the bars 3 and are crimped at 5 to form a U-shaped bend adapted to embrace a stem or bunch of stems.

Sticks 6 are supported in a horizontal position and are substantially rectangular in cross-section. The tobacco is tied in small bunches by securing their stems together. The bunches are placed vertical, with the bunched stems resting against the side of the stick, and one of the clamps is then sprung

over the stick 6, with one of the bends 5 engaging the stems.

Two bunches may be secured by each clamp if the tobacco is not too damp, one being hung on each side of the stick and secured by the corresponding jaw.

I do not wish to be limited as to details of construction, as these may be modified in many particulars without departing from the spirit of my invention.

Having thus described my invention, what I claim as new, and desire to secure by Letters Patent, is—

1. In a tobacco-clamp comprising a resilient yoke-shaped member having side bars crimped to adapt them to embrace and hold a bunch of tobacco-stems against a stick which is straddled by said yoke, substantially as described.

2. A tobacco-clamp comprising a resilient yoke designed to be set astride a stick with the side bars engaging the sides thereof, and jaws carried by said side bars and being crimped to adapt them to embrace and hold a bunch of tobacco-stems, substantially as described.

3. A tobacco-clamp, comprising a resilient yoke designed to be set astride a stick, and jaws extending at right angles to the side bars of said yoke, said jaws being crimped to adapt them to embrace and hold a bunch of tobacco-stems, substantially as described.

In testimony whereof I have hereunto set my hand in presence of two subscribing witnesses.

GABERIEL L. POOL.

Witnesses:

R. C. STRONG,
THOS. B. ASHFORD.